



Process Sealed Coded Rotary DIP - 7mm

Specifications

Electrical Ratings	100mA @ 50VDC
Electrical Life	25,000 steps typical
Contact Resistance	<80mΩ initial
Rotational Torque	120gF maximum
Dielectric Strength	250Vrms min. @ sea level

Insulation Resistance	>100MΩ min
Operating Temperature	-40°C to 85°C
Storage Temperature	-40°C to 85°C
Sealing Degree	IP67

Materials

Actuator	LCP
Cover	SUS
Housing	LCP
Contacts	Copper Alloy, Gold over Nickel Plated
Terminals	Copper Alloy, Gold over Nickel Plated

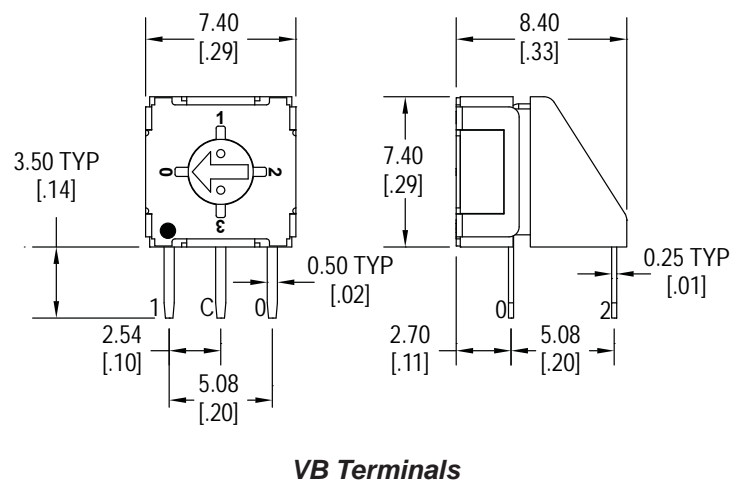
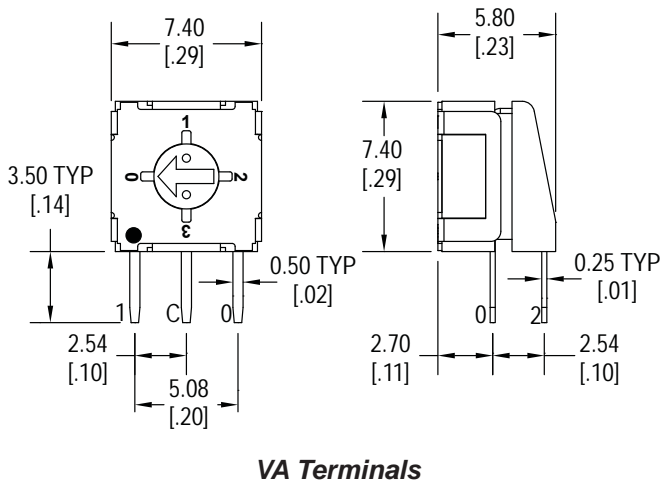
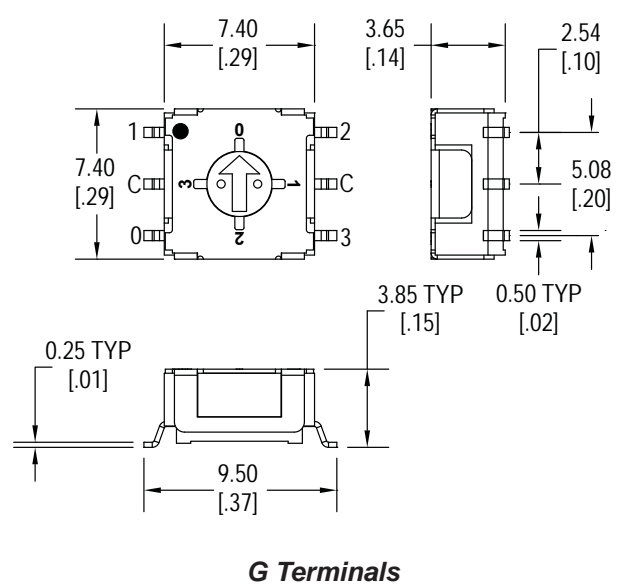
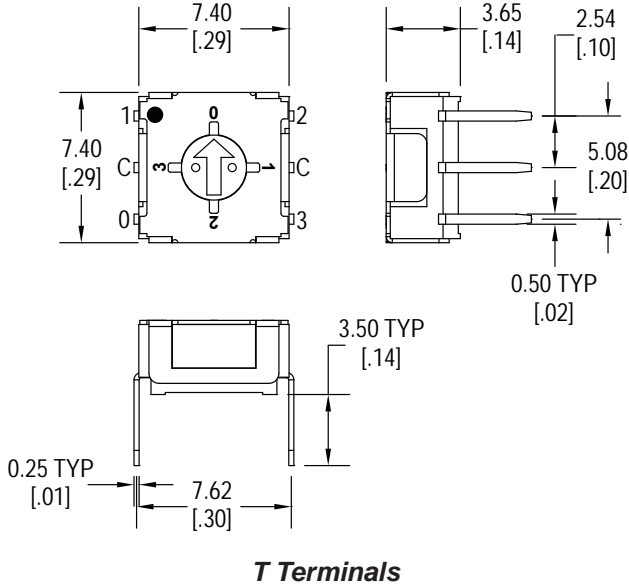
Ordering Information

1. Series	RD07	A	10	R	T	T
RD07						
2. Actuator Style						
A = Arrow, flush						
B = Slot, knurled 4.9mm						
C = Slot, flat 4.2mm						
3. Number of Positions						
4 = 4 position						
10 = 10 position						
16 = 16 position						
4. Code Options						
R = Real Code						
C = Complementary Code						
5. Terminals						
T = Through-hole PC pin						
G = Gull wing, surface mount						
VA = Right angle PC pin, 2.54mm spacing						
VB = Right angle PC pin, 5.08mm spacing						
6. Packaging Options						
T = Tube						
R = Tape & Reel, for use with G terminals only						

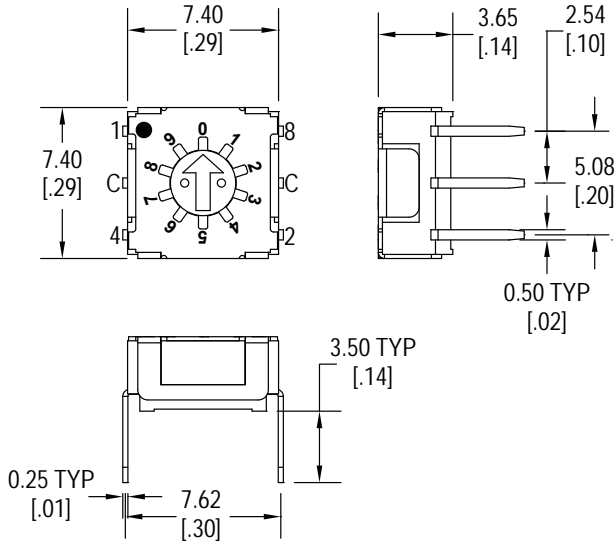
RD07

Process Sealed Coded Rotary DIP - 7mm

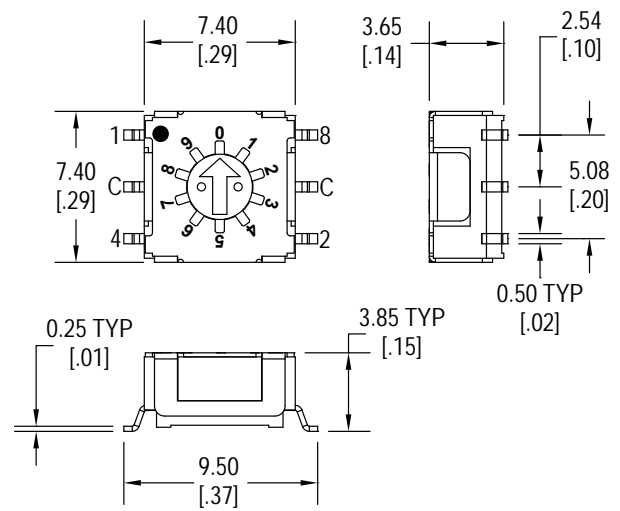
Dimensions - 4 Position



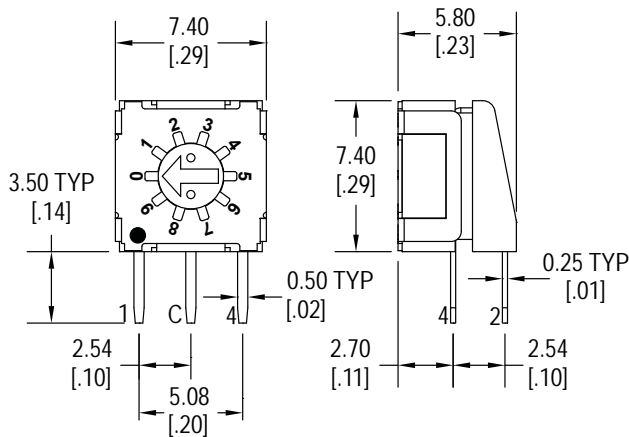
Dimensions - 10 Position



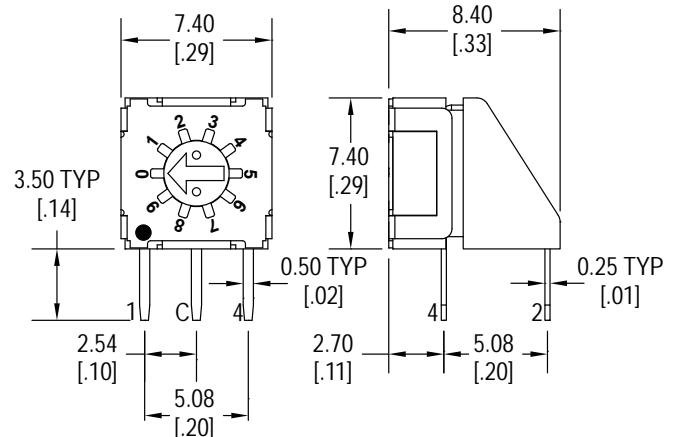
T Terminals



G Terminals



VA Terminals

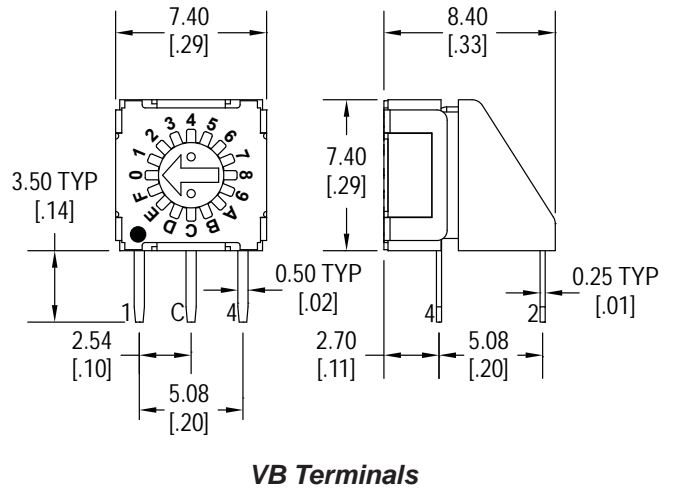
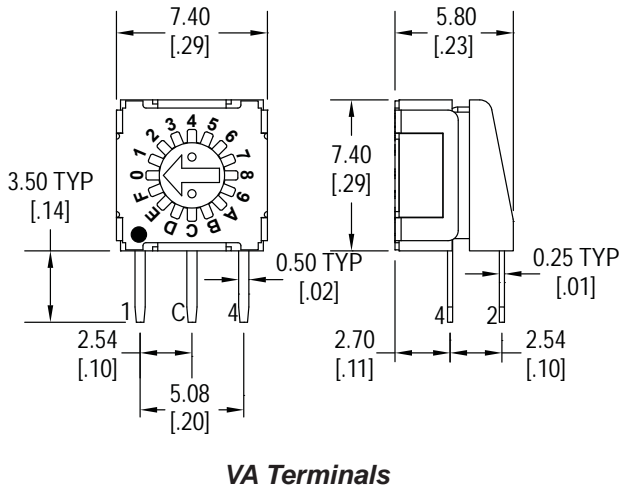
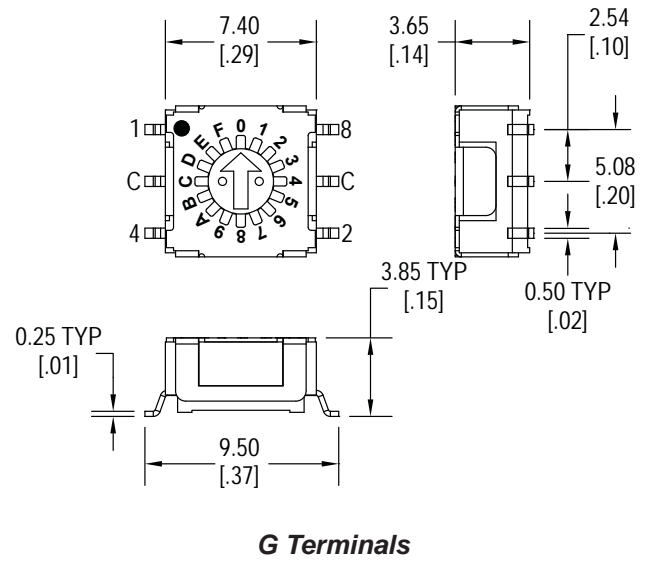
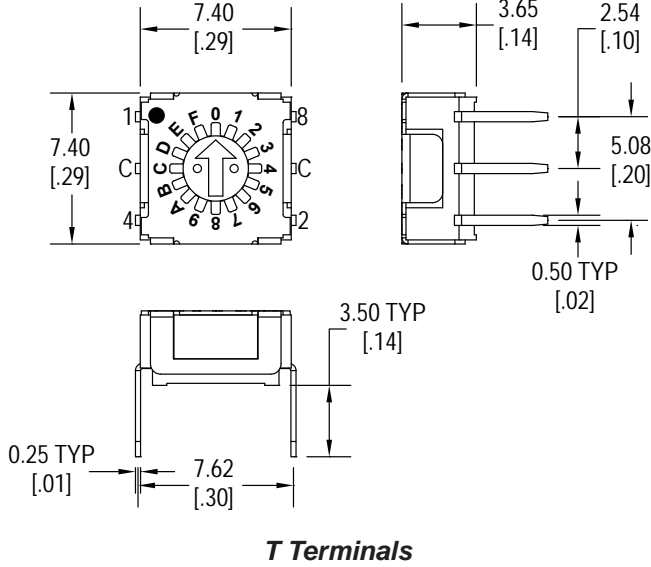


VB Terminals

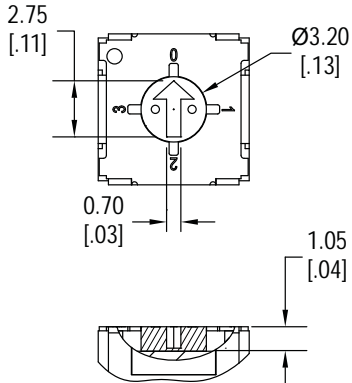
RD07

Process Sealed Coded Rotary DIP - 7mm

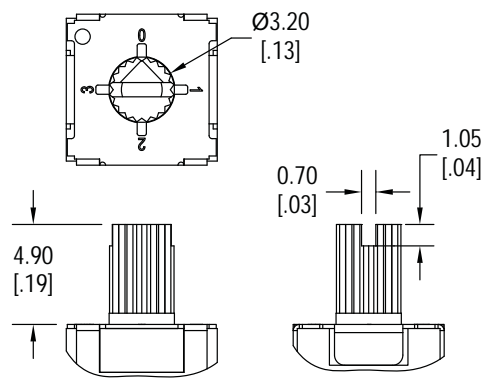
Dimensions - 16 Position



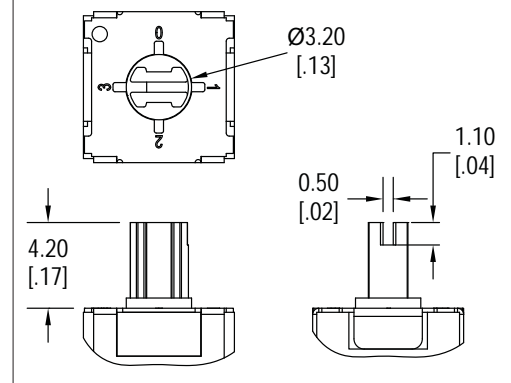
Actuator Options



A - Arrow, Flush

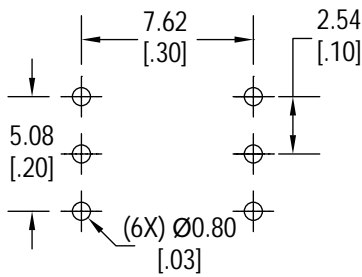


B - Slot, Knurled 4.9mm

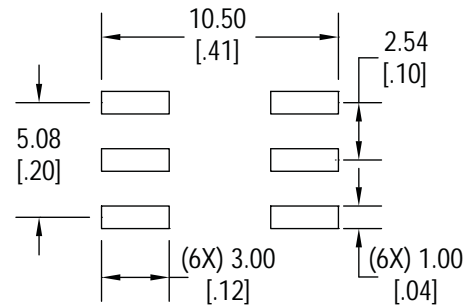


C - Slot, Flat 4.2mm

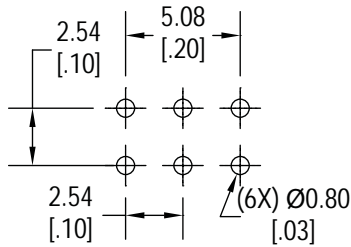
PC Layouts



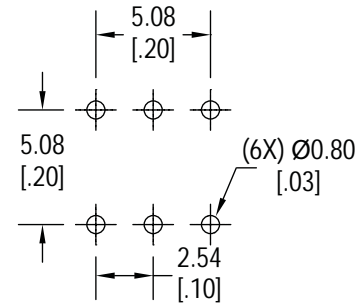
T - Through Hole PC Pin



G - Gull Wing, Surface Mount



VA - Right Angle PC Pin, 2.54mm spacing



VB - Right Angle PC Pin, 5.08mm spacing

RD07

Process Sealed Coded Rotary DIP - 7mm

Code Options

4 Position Real Code			
Position	C	0	1
0	♦		
1	♦	♦	
2	♦		♦
3	♦	♦	♦

4 Position, BCD

4 Position Complement Code			
Position	C	0	1
0	♦	♦	♦
1	♦		♦
2	♦	♦	
3	♦		

4 Position, BCD Complement

10 Position Real Code					
Position	C	1	2	4	8
0	♦				
1	♦	♦			
2	♦		♦		
3	♦	♦	♦		
4	♦			♦	
5	♦	♦		♦	
6	♦		♦	♦	
7	♦	♦	♦	♦	
8	♦				♦
9	♦	♦			♦

10 Position, BCD

10 Position Complement Code					
Position	C	1	2	4	8
0	♦	♦	♦	♦	♦
1	♦		♦	♦	♦
2	♦	♦		♦	♦
3	♦			♦	♦
4	♦	♦	♦		♦
5	♦		♦		♦
6	♦	♦			♦
7	♦				♦
8	♦	♦	♦	♦	
9	♦		♦	♦	

10 Position, BCD Complement

16 Position Real Code						
Position	C	1	2	4	8	-
0	♦					0
1	♦	♦				1
2	♦		♦			2
3	♦	♦	♦			3
4	♦			♦		4
5	♦	♦		♦		5
6	♦		♦	♦		6
7	♦	♦	♦	♦		7
8	♦				♦	8
9	♦	♦			♦	9
10	♦		♦		♦	A
11	♦	♦	♦		♦	B
12	♦			♦	♦	C
13	♦	♦		♦	♦	D
14	♦		♦	♦	♦	E
15	♦	♦	♦	♦	♦	F

16 Position, BCD

16 Position Complement Code						
Position	C	1	2	4	8	-
0	♦	♦	♦	♦	♦	0
1	♦		♦	♦	♦	1
2	♦	♦		♦	♦	2
3	♦			♦	♦	3
4	♦	♦	♦		♦	4
5	♦		♦		♦	5
6	♦	♦			♦	6
7	♦				♦	7
8	♦	♦	♦	♦		8
9	♦		♦	♦		9
10	♦	♦		♦		A
11	♦			♦		B
12	♦	♦	♦			C
13	♦		♦			D
14	♦	♦				E
15	♦	♦	♦	♦		F

16 Position, BCD Complement