



## Specifications

Electrical Ratings	3A @ 125VAC, 65°C, 50K cycles 3A @ 250VAC, 65°C, 50K cycles
Electrical Life	50,000 cycles typical
Mechanical Life	1,000,000 cycles typical momentary 500,000 cycles typical latching
Contact Resistance	≤ 50mΩ initial

Actuation Force	200 ±50gF SPDT 250 ±50gF DPDT
Actuation Travel	3.2 ± .25mm
Dielectric Strength	2,000Vrms min between contacts
Insulation Resistance	≥ 1,000MΩ min @ 500VDC
Sealing Degree	IP65
Operating Temperature	-20°C to 55°C
Storage Temperature	-20°C to 55°C

## Materials

Actuator	Stainless Steel, Anodized Aluminum
LED Lens	Polycarbonate (PC)
Threaded Body	Stainless Steel, Anodized Aluminum
Terminal Support	Polybutylene Terephthalate (PBT)
Inner Switch Body	Polybutylene Terephthalate (PBT)
Contacts	Silver plated Copper Alloy
Terminals	Silver plated Copper Alloy
Hardware	One Hex Nut & One "O" Ring Supplied

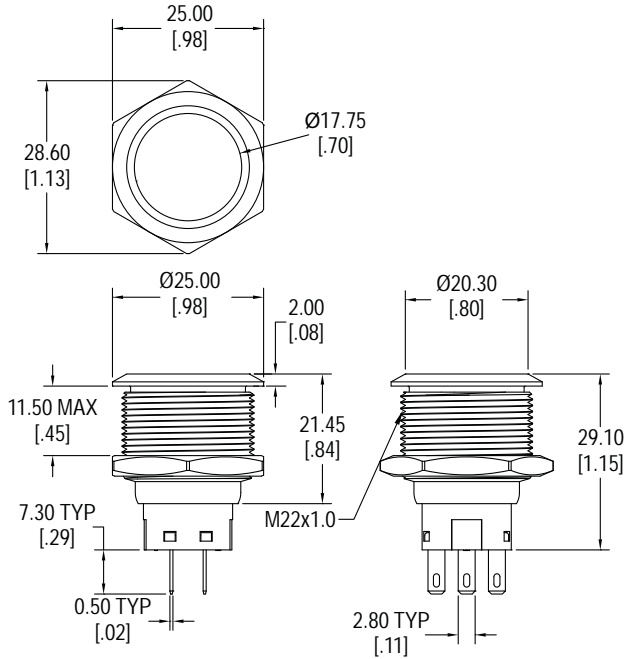
## Ordering Information

1. Series	DH22U	1	N	B	S	R	12
DH22U							
2. Number of Poles	1 = SPDT 2 = DPDT						
3. Latching Option	N = Momentary L = Latching						
4. Actuator Style:	A = Flush actuator, non-illuminated B = Flush actuator, ring illuminated						
5. Switch Finish	S = Stainless Steel B = Black Anodized Aluminum						
6. First LED Color	Z = No LED R = Red Y = Yellow G = Green B = Blue W = White						
7. LED Voltage	Z = No LED      24 = 24V 6 = 6V            110 = 110V 12 = 12V        220 = 220V N = No internal resistor in series with the LED						

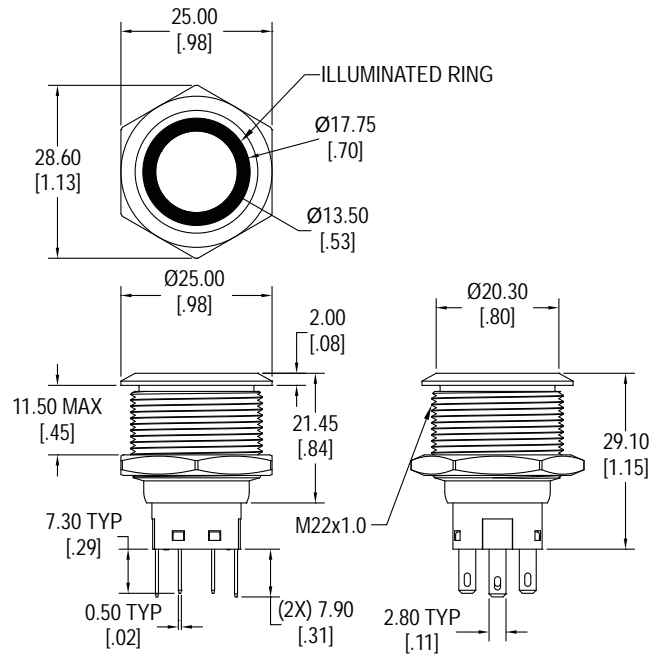
# DH22U

UL Approved Illuminated Pushbutton

## Dimensions

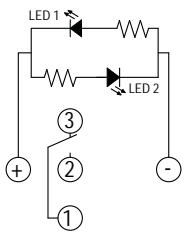


**A - Flush Actuator, Non-illuminated**

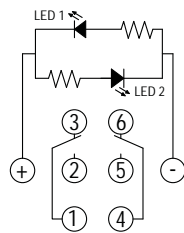


**B - Flush Actuator, Ring Illuminated**

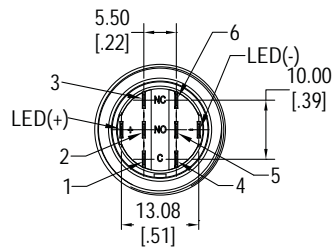
## Schematics



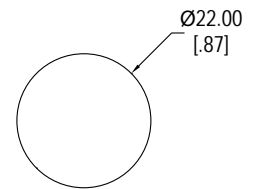
**SPDT**



**DPDT**

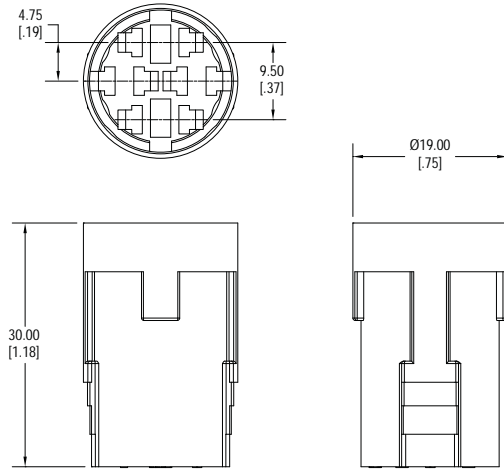


**Bottom View**

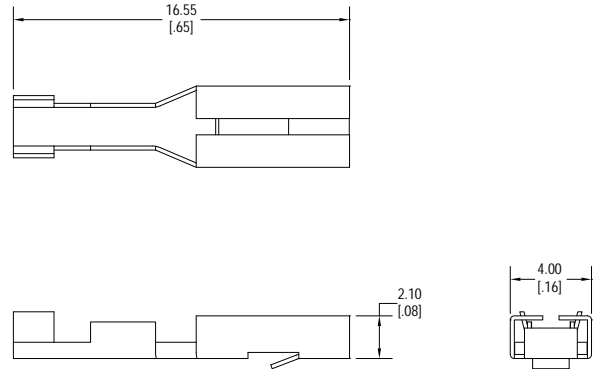


**Panel Cut-Out**

## Optional Socket Housing



**SS2002**



**Terminal**  
for use with wire sizes 18AWG to 24AWG

## LED Characteristics

LED Ratings		Color					
		R	Y	G	B	W	Units
Reverse Voltage	$V_R$	5	5	5	5	5	V
Forward Current (peak)	$I_{FS}$	120	120	160	160	160	mA
Reverse Current $V_R = 5V$	$I_R$	10	10	10	10	10	$\mu A$
Power Dissipation	$P_T$	80	80	120	120	120	mW
Forward Voltage (typ) $I_F = 20mA$	$V_F$	2.1	2.1	3.3	3.3	3.0	V
Luminous Intensity, $I_F = 20mA$	LI	120	120	170	100	700	mcd



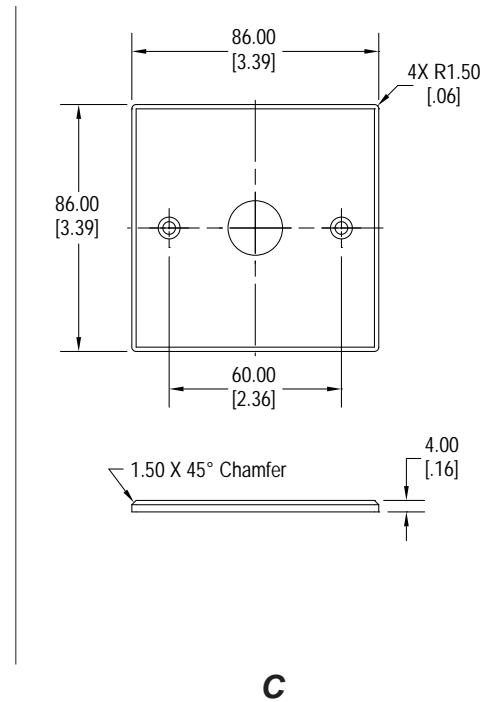
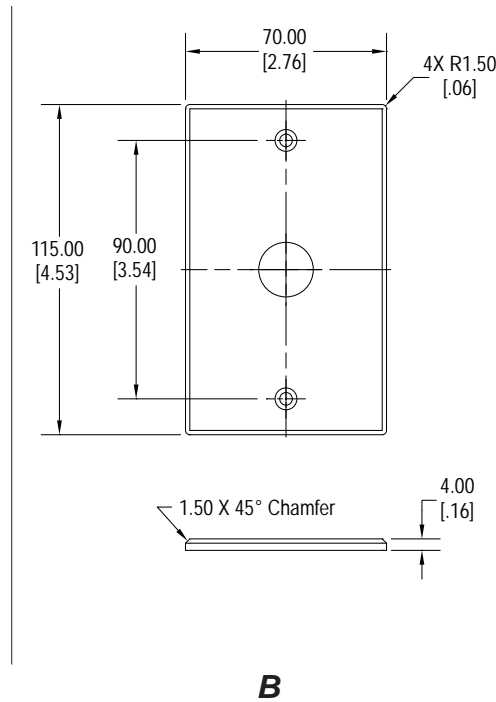
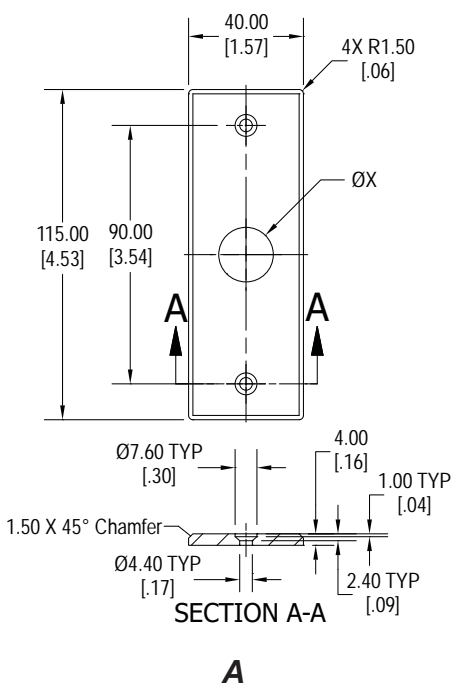
### Features

- ◆ Fits standard size electrical boxes
- ◆ Multiple size options
- ◆ 2 finish options
- ◆ Laser etching available

### Ordering Information

1. Series	WP	B	22	A	X
WP					
2. Size:					
A = 40mm x 115mm					
B = 70mm x 115mm					
C = 86mm x 86mm					
3. Hole Size:					
22 = 22mm diameter					
4. Material					
A = Brushed aluminum					
Y = Brushed aluminum, yellow anodized					
5. Laser Etching Symbol:					
Contact Factory with artwork					

### Dimensions





## Features

- ◆ Easy installation
- ◆ Multiple size options
- ◆ Aluminum housing

## Ordering Information

1. Series	AVH	F	4	22
AVH				
2. Mounting Options: F = With mounting flange T = Without mounting flange				
3. Number of Positions: 1 = 1 position 2 = 2 positions 3 = 3 positions 4 = 4 positions 5 = 5 positions Contact Factory for custom sizes and number of positions				
4. Hole Size: 22 = 22mm diameter				

## Dimensions

